

WESTIRE SET45-18-R2

Sunrise/Sunset Tracking Time Switch



The perfect time switch for the control of display lighting, amenity lighting, security lighting, street lighting and sign lighting. The WESTIRE SET45-18-R2 is two channel 7 day time switch with a sunrise/sunset tracking feature on Channel 1 and standard time switch settings on Channel 2.

When the SET45-18-R2 is programmed with the latitude and longitude of the location for which it is installed, the 'Solar Time On' setting on Channel 1 self-adjusts throughout the year to maintain the time offset from sunset on the day it was programmed. Similarly, the 'Solar Time Off' setting on Channel 1 self-adjusts throughout the year to maintain the time offset from sunrise on the day it was programmed.

Channel 1 also has standard time switch settings which in combination with the sunrise/sunset tracking settings allow for part night control of lighting. This allows for example a switch on 15 minutes after sunset, a switch off at midnight, a switch on at 05:30 and a switch off 15 minutes before sunrise.

The SET45-18-R2 can be used to as an alternative to a photocell switch in circumstances where it may be difficult to mount such a switch in a suitable location.



SOLAR & NORMAL TIME CLOCK

**Guaranteed
for 3 Years**

Key benefits of SET45-18-R2 Time Switch:

- Two channel 7 day time switch with sunrise/sunset tracking feature
- Eight switching settings on Channel 1; 12 switching settings on Channel 2
- Two key program setup feature
- Daylight saving time (BST/GMT) automatic hour change on the last Sunday in March and October
- Automatic leap year correction
- Local and remote load switch override feature
- Up to 12 months battery backup reserve (battery recharges when mains supply connected)
- Universal power supply
- Relay Assisted Triac (RAT) switch - reliable switching of reactive loads such as street lighting
- Capable of switching reactive loads up to 10 A on each channel
- Mountable on a 35mm symmetric DIN Rail for ease of installation
- Latitude and Longitude of location can be programmed by user
- Security code program protection and tamper proof cover
- Illuminated keypad and backlit LCD display



All WESTIRES Products are manufactured within the European Union including the WESTIRE's Solar & Normal Time Clocks are in compliance with all the necessary EU Directives applicable to Road and Street Light Controls. Automated State of the Art Production Machinery is utilised for manufacturing along with all the necessary computerised test equipment and burn-in ovens. Regular independent audits are carried out so as to ensure full compliance with I.S. EN ISO, UL and CUL manufacturing standards

WESTIRE SET45-18-R2

Sunrise/Sunset Tracking Time Switch



The SET45-18-R2 can automatically adjust itself for Daylight Saving Time i.e. the bi-annual Summer and Winter time "hour forward/hour back" in the UK.

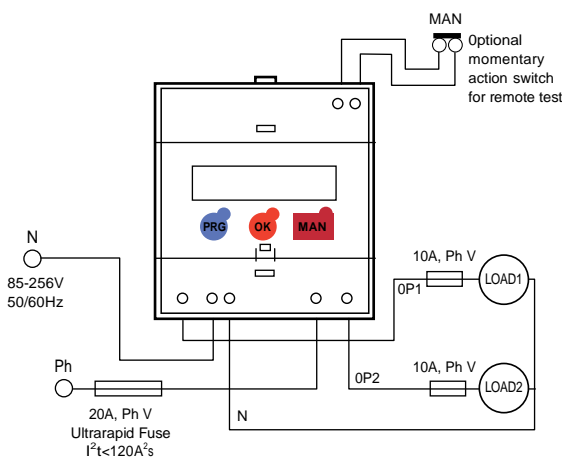
The SET45-18-R2 incorporates the latest microcontroller technology and is designed to have a high level of immunity to electrical noise which can cause other time switches to malfunction.

The major benefits of this Solar & Normal Time Clock is: Easy to Program, it is an Solar & Normal Time Clock and Retains its Memory for 10 Years.

Technical Specifications



MAN key	Allows controlled settings to be temporarily switched on or off. This may also be accomplished remotely by connecting a momentary action (normally open) switch with voltage free contacts to the remote "MAN" terminal block on the product
Power Supply	(Ph to N) 85-265V, 50/60Hz. The SET45-18-R2 should be protected by means of an external 20A ultra rapid fuse on the Ph supply to the product
Output #1	Relay Assisted Triac (RAT) output capable of switching loads up to 10 A reactive
Output #2	Relay Assisted Triac (RAT) output capable of switching loads up to 10 A reactive
Maximum Current	20 A (10A maximum per Output)
Time Base Accuracy	± 1 second per day @20°C
Battery Back Up Reserve	Up to 1 Year at 20°C from internal auxiliary rechargeable NiMH battery. The battery is not drained by circuit when product is to mains supply. The battery is not user replaceable
Dimensions	Height-90mm, Width-70 mm, Depth-73mm (4 modules wide as per DIN 43880)
Mounting	Suitable for mounting on a symmetric 35 mm DIN Rail
Connections	4mm ² maximum conductor size
Enclosure	Flame Retardant Plastic. Enclosure has sealable transparent cover to prevent unauthorised tampering with product
Enclosure Protection	IP20
User Interface	LCD display (backlit when mains supply present). Three key membrane keypad (illuminated when mains supply present)
Operating Temperature	-10°C to + 45°C
EMC	Meets the essential requirements of Directive 2004/108/EC for Electromagnetic Compatibility
LVD	Meets the requirements of the Low Voltage Directive 2006/95/EC
Product Type	Electronic 1.Y.T., Software Class A. Not suitable for controlling loads where secure disconnection during conditions of mains abnormality is essential to safety.



WESTIRE Technology Limited
Industrial Estate
Belmullet
County Mayo
Ireland F26 TE81

WEB: www.westire.com
Tel: + 353 (0) 97 81209
Fx: + 353 (0) 97 81400
E Mail: info@westire.com

