



WESTIRE's Innovative Miniature Photocell

The new **AcRo MiniCell** is tailored for today's market to give our customers a competitive, alternative and reliable solution. These miniature photocells are available from stock to ensure we can support turn key projects through to asset replacement schemes. The unique ambient light sensing and innovative WESTIRE AcRo switching circuit makes it suitable for use on mains power systems operating between 195-265V (50/60Hz). The **IP 67 AcRo MiniCell** is ideal for incorporating into all LED Luminaires and street bollards utilised in today's outdoor market.



IP 67 Sealed Version



Key benefits of the **AcRo MiniCell**:

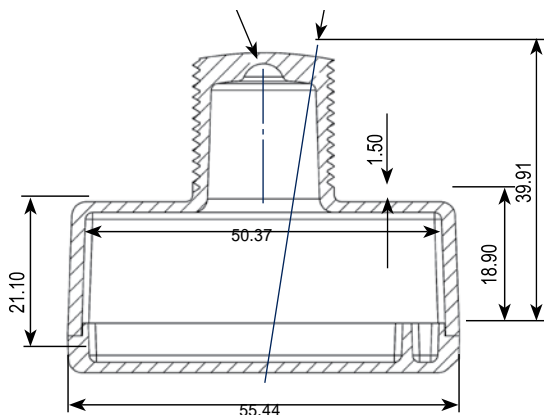
- IP65 sealed detector head
- Omni directional accurate colour corrected silicon sensor
- State-of-the-art AcRo load switching technology
- 120 joule mains lightning suppressor (220 joule on request)
- Controls a 5 Amp Inductive Load
- Detector head designed to survive all types of outdoor conditions
- One part easy to install base section
- Light sensor drift zero over 6 years under outdoor conditions
- Circuit power consumption <0.25W
- Designed for powering LED & HID street lights, signs & bollards
- Miniature profile enclosure

All WESTIRE'S Products are manufactured within the European Union including the WESTIRE AcRo Miniature Photocells are in compliance with all the necessary EU Directives applicable to Road and Street Light Controls. Automated State of the Art Production Machinery is utilised for manufacturing along with all the necessary computerised test equipment and burn-in ovens. Regular independent audits are carried out so as to ensure full compliance with I.S. EN ISO, UL and CUL manufacturing standards

The WESTIRE AcRo MiniCell

The **WESTIRE AcRo** Photocell incorporates unique switching Technology that ensures power loss is negligible when carrying a full load of 5 Amps. Overheating due to the make and break switching action is reduced therefore ensuring a longer switch life.

Technical Specifications



Switching Levels:	70 / 55 / 35 LUX options if luminaire mounted
Detector head:	UV stabilised polycarbonate
Enclosure Sealing:	IP65
Ratios:	1:1 & 1:0.5
Guarantee:	8 years
Rated Load:	400W HID or LED Luminaire or Bollard Load
Maximum Load Current:	5 Amps
Temperature Range:	-20°C to +70°C (-4°F to +158°F)
Circuit Power Consumption:	<0.25Watts
Manufacturing Standard:	IS EN ISO 9001:2008
Photocontrol Standard:	Applicable parts of BS5972
EMC:	EN55015, EN61547 EN61000-3-2, EN61000-3-3
UMSUG Code:	94 0001 1000 100
Dimensions:	55mm x 33mm x 45mm (l x b x h)



WESTIRE Technology Limited
 Industrial Estate
 Belmullet
 County Mayo
 Ireland F26 TE81

WEB: www.westire.com
Tel: + 353 (0) 97 81209
Fx: + 353 (0) 97 81400
E Mail: info @
 Westire.com

